

The background of the slide is a composite image. On the left, there is a close-up of a globe with a wireframe grid, showing the continents of North and South America. On the right, there is a close-up of a brass sprinkler head with the word "VIKING" engraved on its base. The overall color scheme is dark and industrial.

Viking XT1 Sprinkler Technology

Date: November 2nd, 2018

Speaker: Ben Johnson

Viking XT1 Sprinkler Technology

Evolution of the XT1 Sprinkler

1980's Technology



Model M Sprinkler

2000's Technology



Small Frame Sprinkler

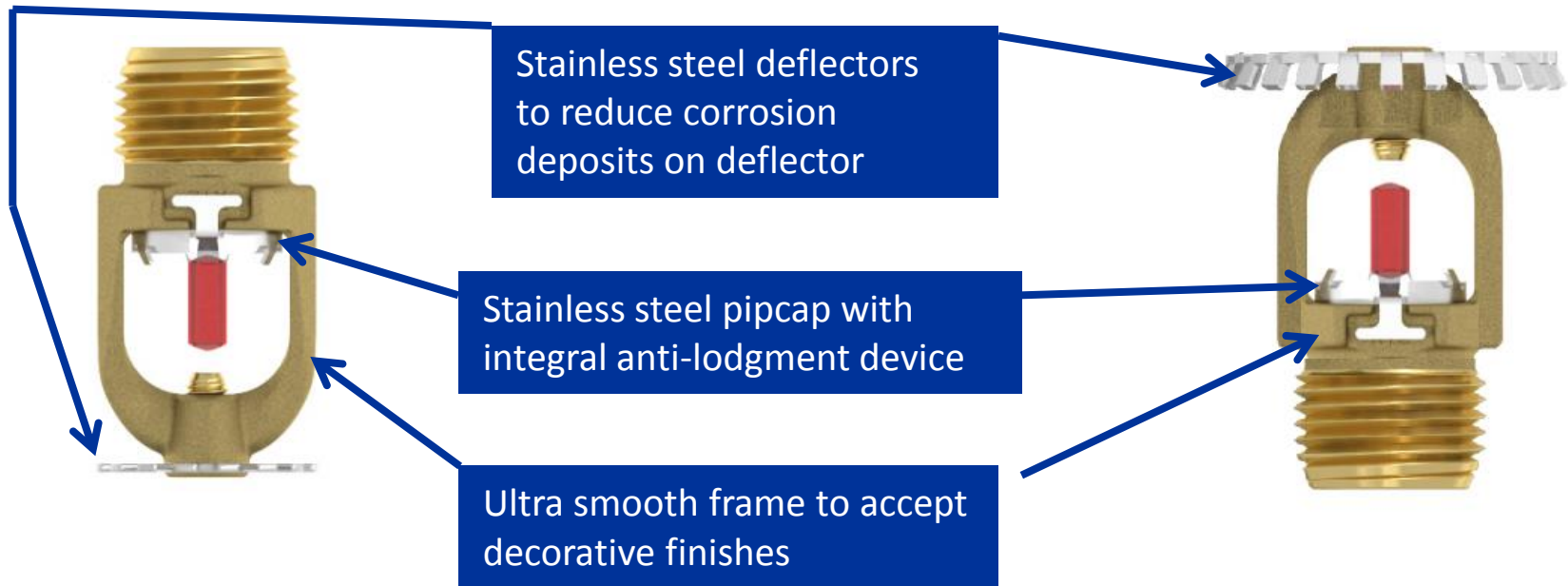
2020's Technology



XT1 Sprinkler

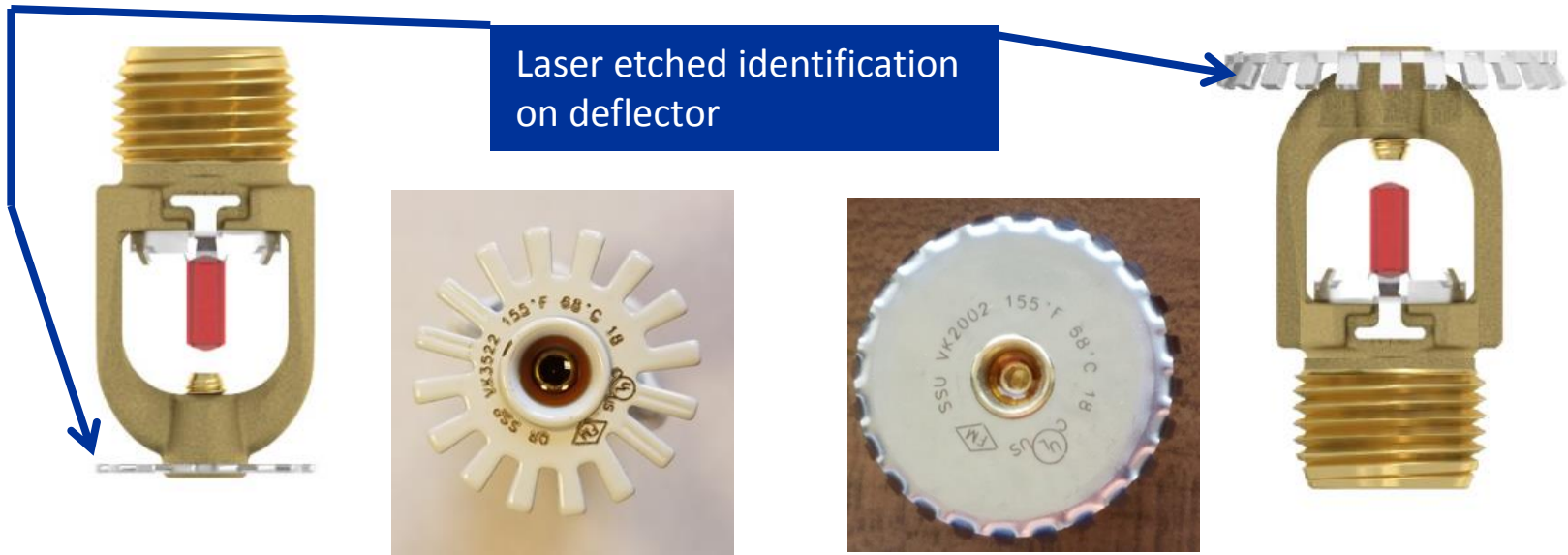
Viking XT1 Sprinkler Technology

XT1 Design Features



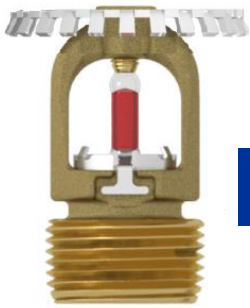
Viking XT1 Sprinkler Technology

XT1 Design Features



Viking XT1 Sprinkler Technology

K 8.0 Standard Coverage Pendent/Upright Sprinklers



Replaces



VK 200



Replaces



VK 350



Replaces



VK 202



Replaces



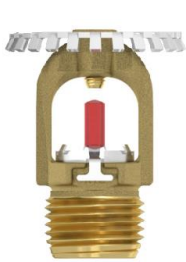
VK 352

VK 2021

VK 3521

Viking XT1 Sprinkler Technology

1/2" K 8.0 Standard Coverage Pendent/Upright Sprinklers



Replaces



Replaces



Model M and Small frame Sprinklers had the same sprinkler identification numbers for 1/2" K 8.0 sprinklers

VK 2002

VK 200

VK 3502

VK 350



Replaces



Replaces



XT1 Sprinklers have separate sprinkler identification numbers for 1/2" K 8.0 sprinklers

VK 2022

VK 202

VK 3522

VK 352

1/2" K 8.0 Sprinklers are only used for retrofit installations, not for new system installations

Viking XT1 Sprinkler Technology

Evolution of the XT1 Sprinkler

1980's Technology



2000's Technology



2020's Technology



Description	Model M			Small Frame			XT1	
	SIN	Part Number		SIN	Part Number		SIN	Part Number
1/2" K 5.6 Standard Response Upright	VK 100	10138		VK 100	12986		VK 1001	19914
1/2" K 5.6 Standard Response Pendent	VK 102	10139		VK 102	12986		VK 1021	19915
3/4" K 8.0 Standard Response Upright	VK 200	10141		VK 200	18263		VK 2001	19922
3/4" K 8.0 Standard Response Pendent	VK 202	10142		VK 202	18264		VK 2021	19923
1/2" K 8.0 Standard Response Upright	VK 200	10220		VK 200	18268		VK 2002	19918
1/2" K 8.0 Standard Response Pendent	VK 202	10223		VK 202	18269		VK 2022	19919
1/2" K 5.6 Quick Response Upright	VK 300	06661		VK 300	12978		VK 3001	19916
1/2" K 5.6 Quick Response Pendent	VK 302	06662		VK 302	12979		VK 3021	19917
3/4" K 8.0 Quick Response Upright	VK 350	06665		VK 350	18257		VK 3501	19924
3/4" K 8.0 Quick Response Pendent	VK 352	06666		VK 352	18258		VK 3521	19925
1/2" K 8.0 Quick Response Upright	VK 350	06764		VK 350	18259		VK 3502	19920
1/2" K 8.0 Quick Response Pendent	VK 352	06765		VK 352	18260		VK 3522	19921

Viking XT1 Sprinkler Technology

XT1 Sprinkler Finishes and Temperatures

VK 1021



**Base Part #:
19915**

**Completed Part Number
19915AB
Finish A = Brass
Temperature B = 155° F**

Finish	Brass	Chrome	White Polyester	Black Polyester	ENT	--
Suffix	A	F	M-/W	M-/B	JN	--
Temperature	135 °F (57 °C)	155 °F (68 °C)	175 °F (79 °C)	200 °F (93 °C)	286 °F (141 °C)	Open
Suffix	A	B	D	E	G	Z

Viking XT1 Sprinkler Technology

XT1 Sprinkler Finishes and Temperatures

VK 3021



**Base Part #:
19917**

**Completed Part Number
19917MB/W
Finish M _ /W = White
Temperature B = 155° F**

Finish	Brass	Chrome	White Polyester	Black Polyester	ENT	--
Suffix	A	F	M-/W	M-/B	JN	--
Temperature	135 °F (57 °C)	155 °F (68 °C)	175 °F (79 °C)	200 °F (93 °C)	286 °F (141 °C)	Open
Suffix	A	B	D	E	G	Z

Viking XT1 Sprinkler Technology

XT1 Standard Coverage Pendent / Upright Sprinklers



The new platform sprinklers will be available in November of 2018.

The new box quantity is (50) per box.

Initial launch will be standard pressure rating 175 psi, high pressure to follow shortly after.



The sprinklers are listed and approved in brass, chrome, painted, and ENT. The launch will include these finishes.

VSN will be giving away “installer” wrenches to customers as part Of the launch promotion. The installer wrench will have a blue coated handle. The sprinkler cabinet wrench will not be coated.

Viking XT1 Sprinkler Technology

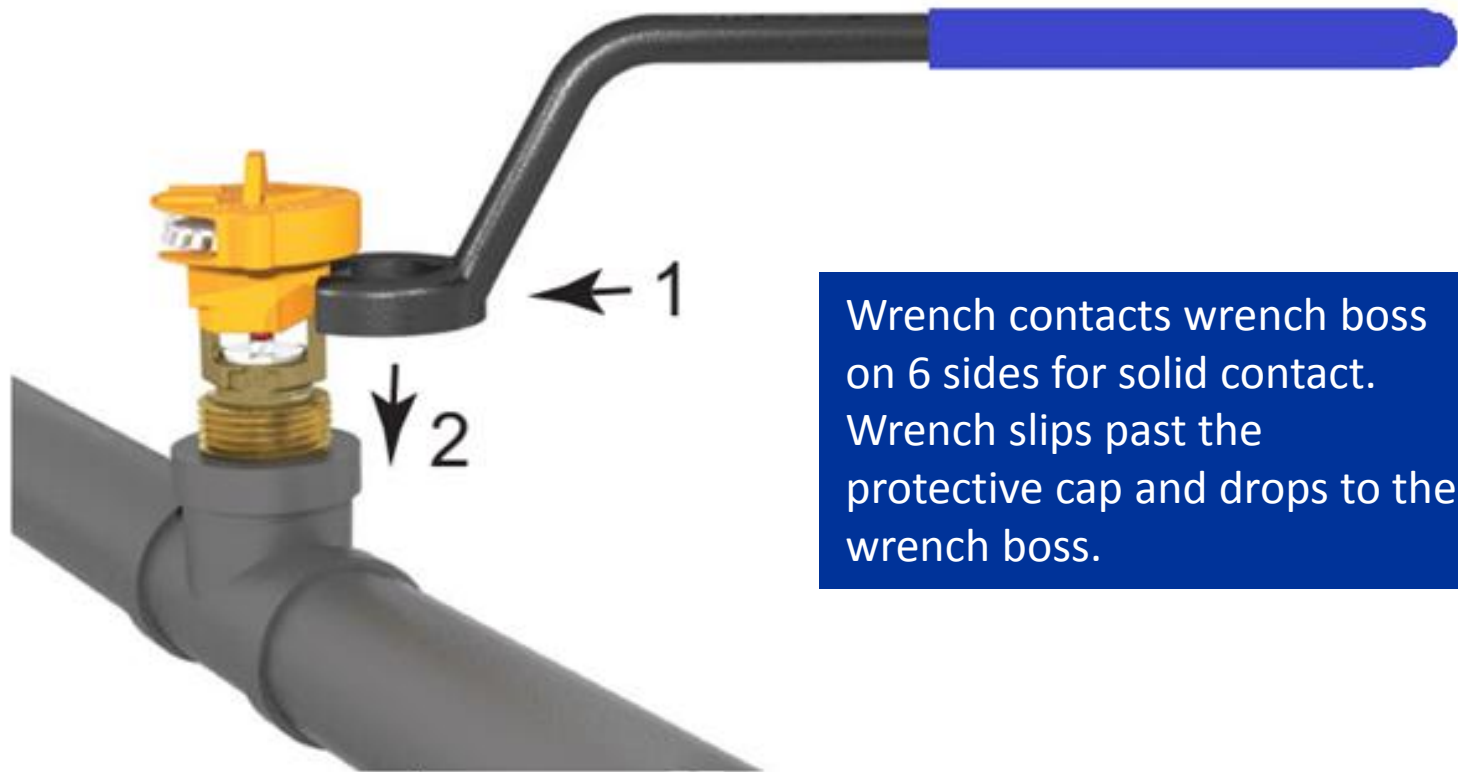
XT1 Installation Wrench



Wrench is designed for exposed and recessed installation. Easy grip handle is coated for to limit slipping while making in a sprinkler.

Viking XT1 Sprinkler Technology

XT1 Installation Wrench

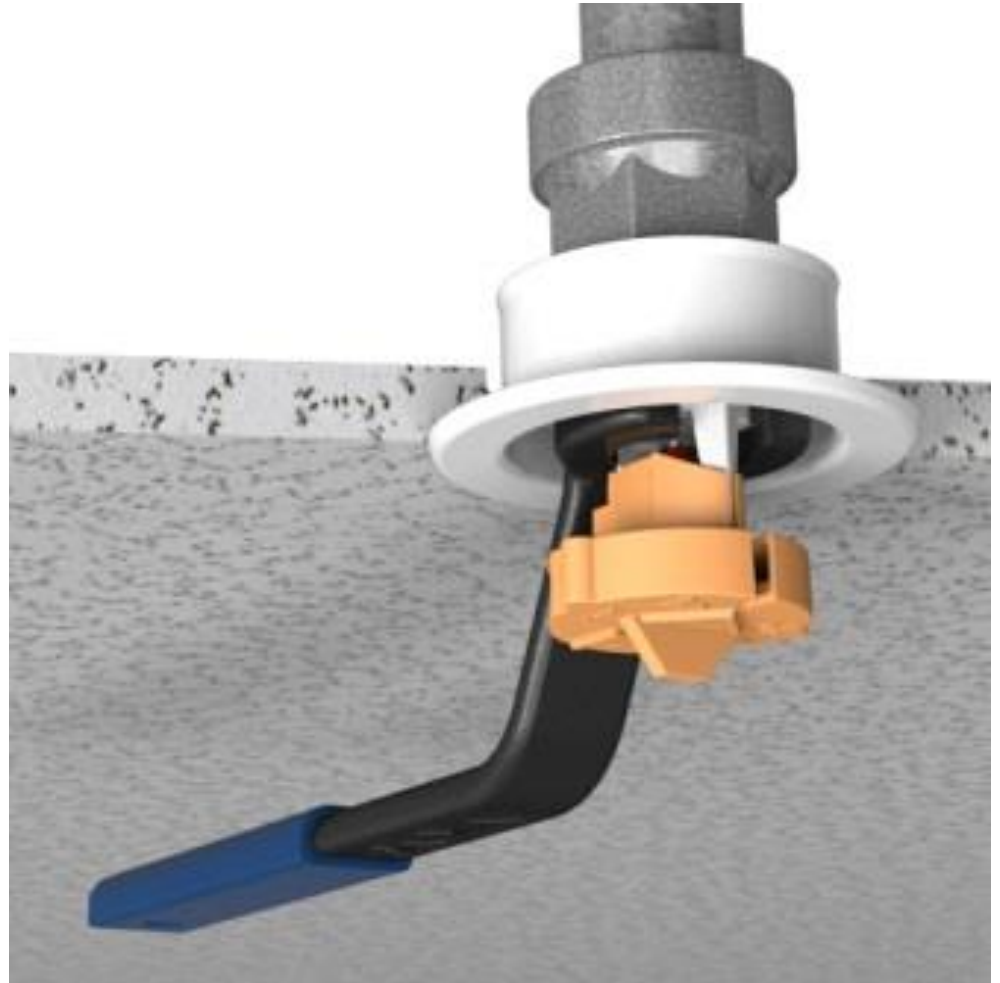


Wrench contacts wrench boss on 6 sides for solid contact. Wrench slips past the protective cap and drops to the wrench boss.

Viking XT1 Sprinkler Technology

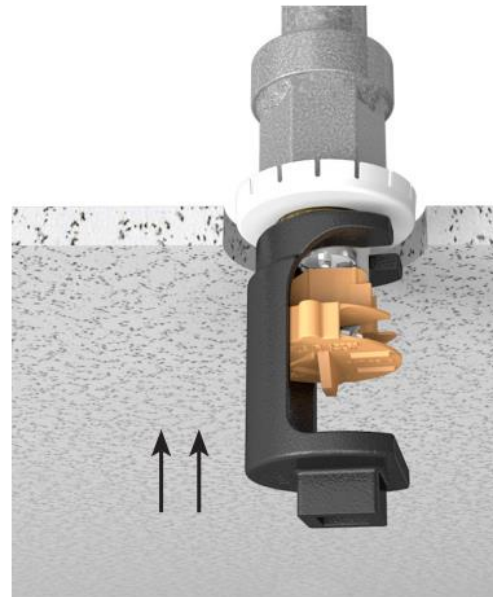
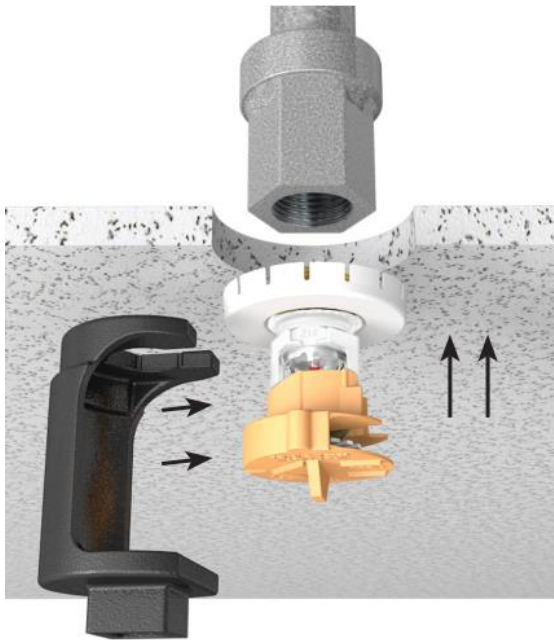
XT1 Installation Wrench

Wrench is designed to be able to install sprinkler in recessed installation without the need of a socket type wrench.



Viking XT1 Sprinkler Technology

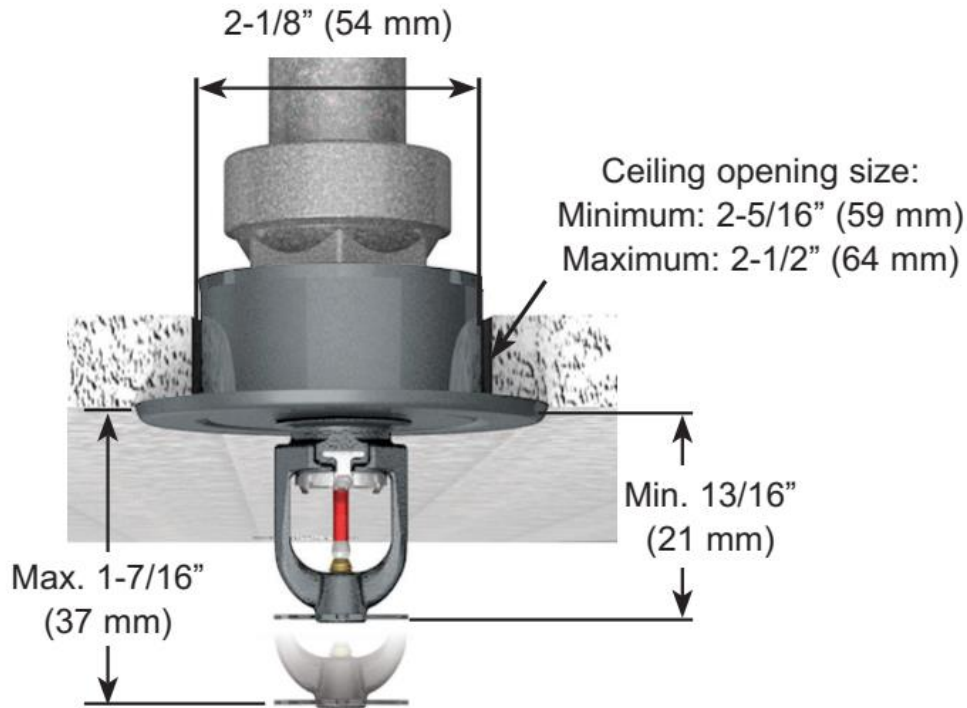
XT1 Recessed Wrench



Recessed wrench contacts wrench boss on 6 sides for solid contact. Wrench slips past the protective cap and drops to the wrench boss.

Viking XT1 Sprinkler Technology

Escutcheons for XT1 Sprinklers

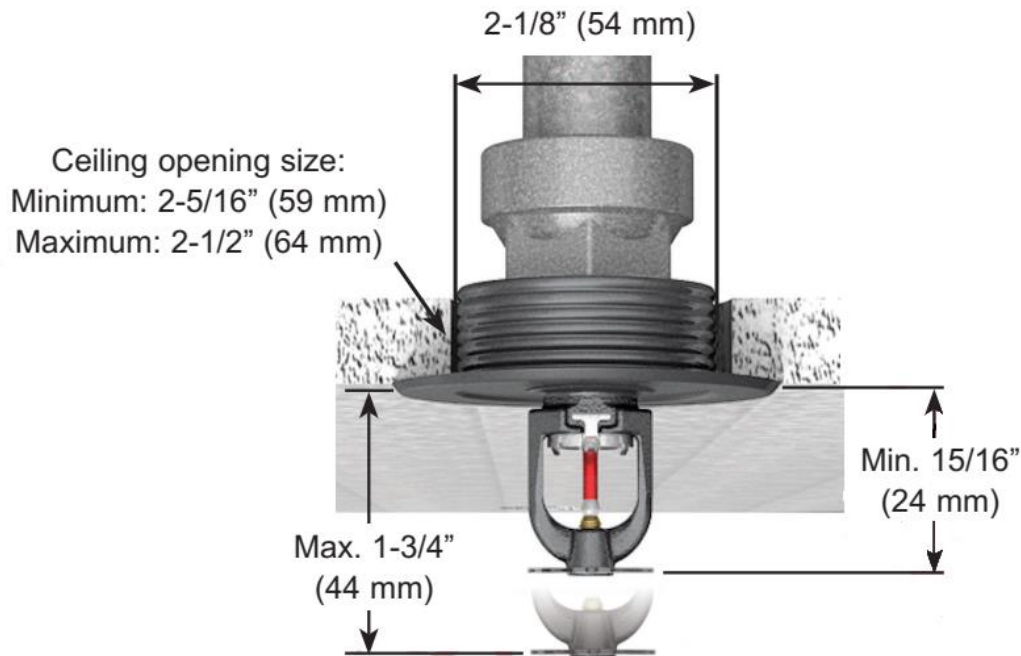


Model NP-1 Recessed Escutcheon

NP-1 Recessed escutcheon is the only recessed escutcheon for the XT1 sprinklers. The current E-1 will only be used with Model M or small frame sprinklers.

Viking XT1 Sprinkler Technology

Escutcheons for XT1 Sprinklers

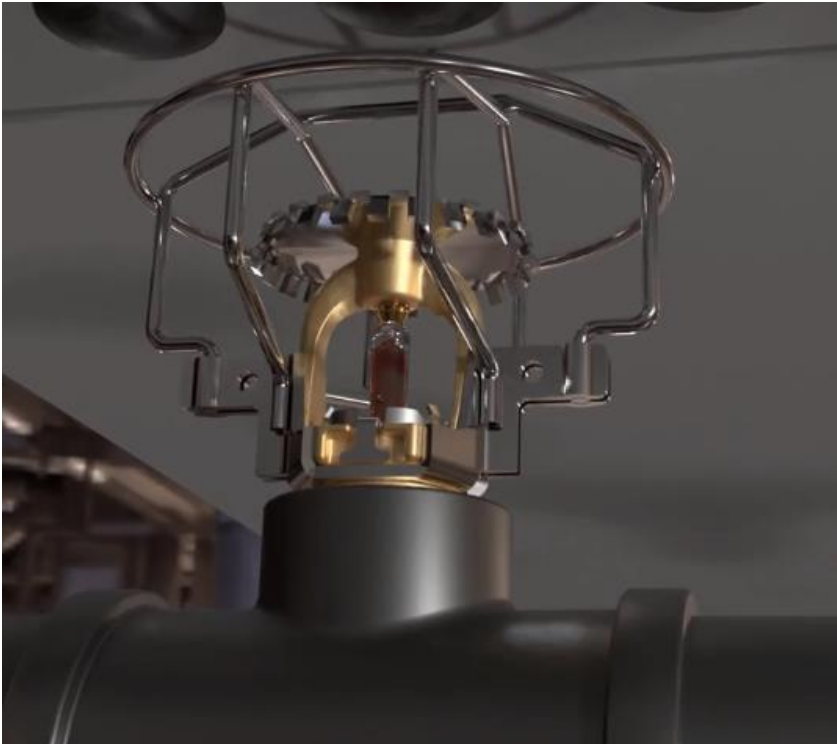


**Model NP-2 or NP-3 Thread-On Recessed Escutcheon
(NP-3 Outer ring has a larger diameter)**

NP-2 and NP-3 Recessed escutcheon is the only recessed escutcheon for the XT1 sprinklers. The current E-1 will only be used with Model M or small frame sprinklers.

Viking XT1 Sprinkler Technology

XT1 Improvements



Smaller sprinkler guards are possible with the XT1 sprinkler. These will be available shortly after the launch in November of 2018.

Viking XT1 Sprinkler Technology

XT1 Improvements

Questions?